



**STANDBY GENERATORS**

# 60kW<sup>1</sup> STANDBY GENERATOR

## BRIGGS & STRATTON® THE SMART CHOICE

Durable backup power for businesses and luxury homes. Help eliminate losses from power outages with a Briggs & Stratton® Commercial Standby Generator.



### FORTRESS™

Introducing our dealer exclusive line. Available at your local Briggs & Stratton Dealer with these great features:

- The industry's most comprehensive warranty<sup>2</sup>
- Block heater keeps engine warm for easy starting in cold weather



#### Corrosion Resistant Aluminum Enclosure

- Durable enclosures are built to last, protecting against extreme weather conditions and corrosion

#### Easy to Service

- Convenient internal swing open doors allow you to easily access the engine; no more taking apart the bolted finger guards, saving you precious time and the hassle of disassembly

#### Quality Clean Power

- Ensures your electronics are safely powered

#### Durable Industrial Engine

- Found in industrial applications, the premium industrial 1,800 RPM engine provides strong, reliable power without giving up quiet operation or durability

#### Custom Built Options

- A complete line of standby generators for commercial applications with multiple voltage configurations and controller options

#### NFPA 110 Capable

- Suitable for NFPA 110 applications when installed with required NFPA 110 accessories and installation methods



### GENERATOR SET RATINGS

MODEL	VOLTAGE	POWER FACTOR	PHASE	HZ	BREAKER	LIQUID PROPANE		NATURAL GAS		CONTROLLER
						LP KW <sup>1</sup>	LP AMPS	NG KW <sup>1</sup>	NG AMPS	
Fortress 076860	120/240	1	1	60	300	60	250	55	229	Briggs & Stratton
Briggs & Stratton 076360	120/240	1	1	60	300	60	250	55	229	Briggs & Stratton
Briggs & Stratton 076161	120/208	0.8	3	60	225	62	215	55	191	InteliNano
Briggs & Stratton 076163	120/240	0.8	3	60	300	62	187	55	166	InteliNano
Briggs & Stratton 076165	277/480	0.8	3	60	100	62	93	55	83	InteliNano
Briggs & Stratton 076361	120/208	0.8	3	60	225	62	215	55	191	InteliLite
Briggs & Stratton 076363	120/240	0.8	3	60	300	62	187	55	166	InteliLite
Briggs & Stratton 076365	277/480	0.8	3	60	100	62	93	55	83	InteliLite

<sup>1</sup> This generator is rated in accordance with UL (Underwriters Laboratories) 2200 (stationary engine generator assemblies) and CSA (Canadian Standards Association) standard C22.2 No. 100-14 (motors and generators).

<sup>2</sup> Warranty details available at [www.briggsandstratton.com](http://www.briggsandstratton.com)



**ENGINE SPECIFICATIONS**

ENGINE	
Engine Model	5.7L Industrial Powertrain
Engine Type	8 Cylinder, 4-Cycle
Engine Speed (RPM)	1800
Engine Fuel	Liquid Propane Vapor (LPV) or Natural Gas (NG)
Induction System	Naturally Aspirated
Air Filter Type	Dry
Displacement (ltr / cc)	5.7 / 5736
Freq Reg NL to FL	Isochronous
Block Heater	Included
Governor Type	Electronic
Frequency Regulation	+ / -5%
Starter Motor Rated Voltage	12 Volt
Battery (volts dc / cca)	12 Volt / 775
ENGINE OUTPUT DERATINGS - STANDBY	
Rated Temp	104°F / 40°C
Rated Altitude	Sea Level
Max Altitude	15,000 ft
Temperature Derate	1% for each 10°F (5.6°C) above rated temp
Altitude Derate	3% / 1000 ft

LUBRICATION	
Oil Capacity (qts / ltrs)	4.5 / 4.3
Oil Capacity with Filter (qts / ltr)	5.0 / 4.7
Oil Filter (quantity / type)	1 / Spin-on
Lubrication System	Full Pressure
Recommended Oil	API GF-4 10W30

ALTERNATOR SPECS	
Type	4-Pole, Rotating Field
Voltage Regulator	Solid State, Volts / Hz
Insulation (rating)	Class H
Designed Temperature Rise Limit	125°C
Bearing (quantity / type)	1 / Sealed
Voltage Reg NL to FL	+ / -1.0%
Frequency Compensation	8V / Hz Voltage Drop Below 55 Hz

ENGINE FUEL SYSTEM SPECIFICATIONS	
Recommended Fuel LP min LHV (btu / ft <sup>3</sup> ) NG min LHV (btu / ft <sup>3</sup> )	2260 890
Fuel Supply Pressure (in H <sub>2</sub> O)	7-11 (at full load)
Fuel Supply Line at Engine (npt)	1"

**OPERATIONS**

	FUEL CONSUMPTION <sup>3</sup>			
	50% Load		100% Load	
Liquid Propane	233 ft <sup>3</sup> / hr	6.5 gal / hr	320 ft <sup>3</sup> / hr	8.9 gal / hr
Natural Gas	512 ft <sup>3</sup> / hr	512,000 btu / hr	682 ft <sup>3</sup> / hr	682,000 btu / hr

SOUND RATING AT 7 METERS PER ISO 3744
68 dBA
Lowest measurement of 12 microphones around generator. Sound level measurement at other locations around generator may be different depending upon installation configuration.

<sup>1</sup> This generator is rated in accordance with UL (Underwriters Laboratories) 2200 (stationary engine generator assemblies) and CSA (Canadian Standards Association) standard C22.2 No. 100-14 (motors and generators).

<sup>3</sup> Fuel consumption rates are estimated based on normal operating conditions. Generator operation may be greatly affected by elevation and the cycling operation of multiple electrical appliances – fuel flow rates may vary depending on these factors.



ADDITIONAL INFORMATION

OTHER FEATURES

Enclosure Material Corrosion-Resistant Aluminum

WEIGHT AND DIMENSIONS

Assembled Weight (lbs / kg) 2020 / 915

Overall Dimensions (in) 98 x 39.4 x 43

Packaged Weight (lbs) 2420 / 1100

Packaged Dimensions (in) 104 x 51 x 48

BATTERY CHARGERS FOR INTELINANO/INTELILITE

Standard 6279

NFPA 110 6339

CERTIFICATION

CARB Compliant Yes

UL Listed to 2200 Yes

cUL Listed to CSA 22.2 NO 100-04 Yes

NEMA Compliant Yes

EPA Certified Fuel System Yes

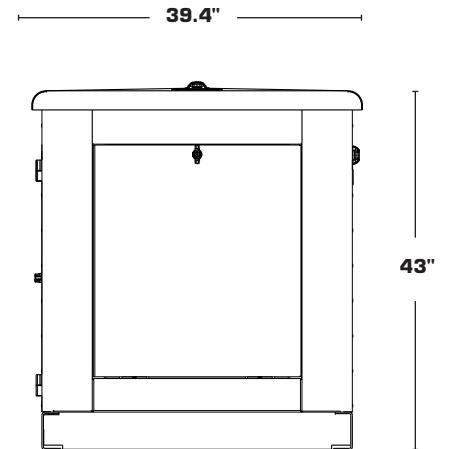
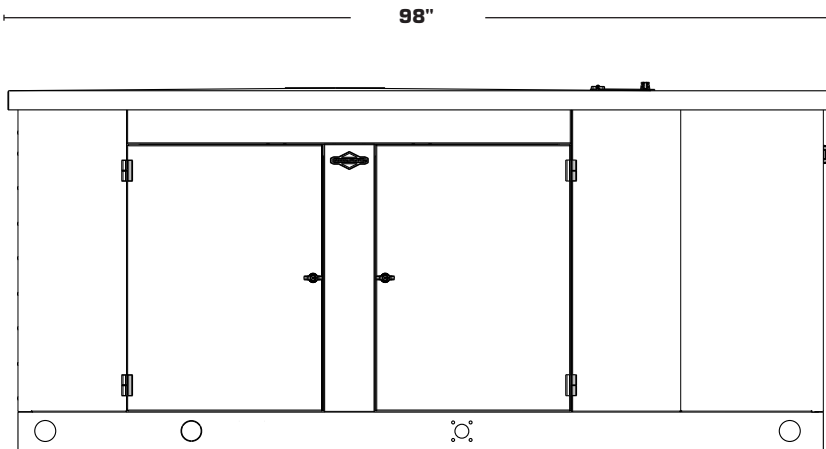
AVAILABLE ACCESSORIES

Battery Warmer 6343

Basic Wireless Monitor 6229

InfoHub 6260

Remote Status Monitor 6144



<sup>1</sup> This generator is rated in accordance with UL (Underwriters Laboratories) 2200 (stationary engine generator assemblies) and CSA (Canadian Standards Association) standard C22.2 No. 100-14 (motors and generators).



STANDARD CONTROLLERS



Briggs & Stratton® Standard AMF Controller for Single Phase

- User-friendly control panel for troubleshooting
- Conveniently monitors diagnostic conditions, displays system fault codes and sets weekly exercise cycle
- Easy-to-read alpha-numeric scrolling display
- Single-phase generator application only
- UL recognized



InteliNano (NT) Controller for 3-Phase

- 3-phase generator application only
- Large graphical display
- 3-phase voltage sensing
- "Zero" power consumption mode
- Easy installation and user-friendly operation
- 10 event history log
- USB communication interface
- Six binary inputs, three analog inputs
- Two low-current and two high-current binary outputs
- UL recognized

OPTIONAL CONTROLLERS



InteliLite (NT) Controller

- 3-phase and single-phase generator applications
- 3-phase voltage sensing
- Current sensing
- Seven binary inputs, three analog inputs
- Seven binary outputs
- Additional input/output accessories available
- Various communication modules available
- Remote control and monitoring capabilities
- UL recognized



InteliLite Accessories (sold separately)

- Remote Annunciator, NFPA 110 Compliant (6334)
- Remote Display (6353)
- IL-NT GPRS (6354)
- IB-LITE (6355)
- IL-NT RS232-485 (6356)
- IL-NT S-USB (6357)

<sup>1</sup> This generator is rated in accordance with UL (Underwriters Laboratories) 2200 (stationary engine generator assemblies) and CSA (Canadian Standards Association) standard C22.2 No. 100-14 (motors and generators).



FUEL PIPE SIZE RECOMMENDATION CHART (CAPACITY IN THOUSANDS OF BTU / HOUR)

Natural Gas / Inlet Pressure less than 2 PSI / Pressure Drop 1/2" Water Column / Specific Gravity 0.60

	1/2" pipe capacity	3/4" pipe capacity	1" pipe capacity	1-1/4" pipe capacity	1-1/2" pipe capacity	2" pipe capacity
20' Length <sup>1</sup>	118	247	466	957	1,430	2,760
40' Length <sup>1</sup>	81	170	320	657	985	1,900
60' Length <sup>1</sup>	65	137	257	528	791	1,520
80' Length <sup>1</sup>	56	117	220	452	677	1,300
100' Length <sup>1</sup>	50	104	195	400	600	1,160

Liquid Propane / Inlet Pressure 11" Water Column / Pressure Drop 1/2" Water Column / Specific Gravity 1.50

	1/2" pipe capacity	3/4" pipe capacity	1" pipe capacity	1-1/4" pipe capacity	1-1/2" pipe capacity	2" pipe capacity
20' Length <sup>1</sup>	200	418	788	1,617	2,423	4,666
40' Length <sup>1</sup>	137	287	541	1,111	1,665	3,207
60' Length <sup>1</sup>	110	231	435	892	1,337	2,575
80' Length <sup>1</sup>	101	212	400	821	1,230	2,370
100' Length <sup>1</sup>	101	212	400	821	1,230	2,370

\*Total length of piping from outlet of regulator to appliance furthest away.



6 LIMITED WARRANTY<sup>2</sup>  
PARTS, LABOR, TRAVEL

5 LIMITED WARRANTY<sup>2</sup>  
PARTS, LABOR, TRAVEL

MODEL NUMBER	Fortress 076860	Briggs & Stratton 076360
		Briggs & Stratton 076161
		Briggs & Stratton 076163
		Briggs & Stratton 076165
		Briggs & Stratton 076361
		Briggs & Stratton 076363
		Briggs & Stratton 076365

SUPPORT EVERY STEP OF THE WAY

NEED HELP? Just call 800-759-2744

Our technical support team is trained to answer questions on our generators, transfer switches and accessories.

CALL TODAY FOR A FREE IN-HOME ESTIMATE!  
800-743-4115

<sup>1</sup> This generator is rated in accordance with UL (Underwriters Laboratories) 2200 (stationary engine generator assemblies) and CSA (Canadian Standards Association) standard C22.2 No. 100-14 (motors and generators).

<sup>2</sup> Warranty details available at [www.briggsandstratton.com](http://www.briggsandstratton.com)

**Disclaimer:** Not for Prime Power or use where standby systems are legally required, for serious life safety or health hazards, or where lack of power hampers rescue of fire-fighting operations.

BRIGGS & STRATTON

POST OFFICE BOX 702  
MILWAUKEE, WI 53201 USA

Copyright ©2016. All rights reserved. BS1007-K - 8/16